

STEX™ Series

STEX13 SEALED GAUGE PRESSURE TRANSMITTER



General Flyer Catalog
FLYR-STEX13-2107C (Jul-21)
© Copyright January 2015



Loop Powered

IP67

ANTI LIGHTNING

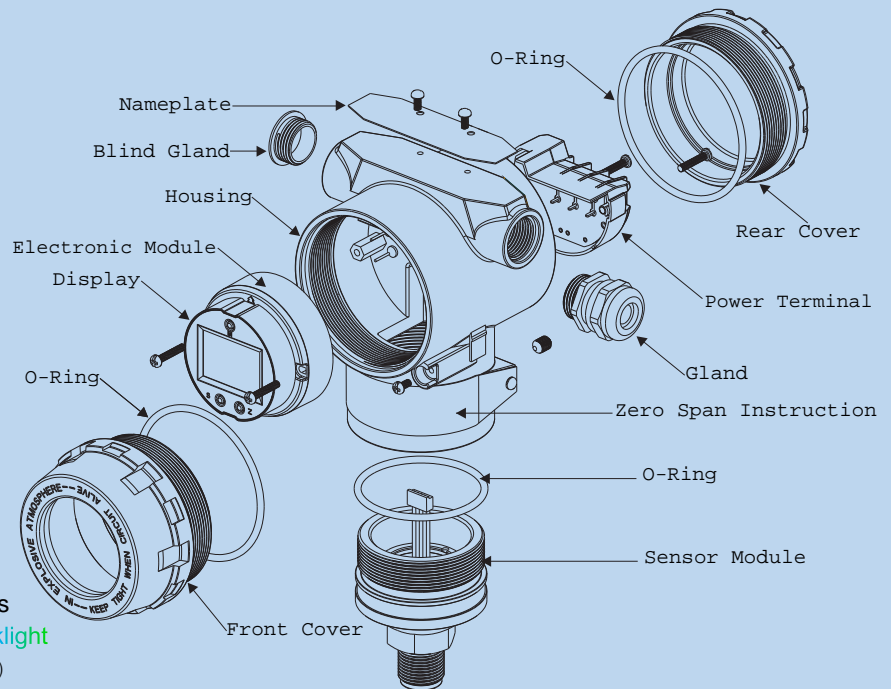
PERFORMANCE 18 MONTHS GUARANTEE

10 YEAR EXTENDED WARRANTY

STEX13 is the latest model of explosion proof smart sealed or artificial referenced gauge pressure transmitter, which are producing by **REGAMOUNT™** as one of the most reliable instrument for measuring the pressure of gas, vapor and liquids in process units. The active sensing element is a *Pressure Sensor* separated from the medium by a diaphragm (by default SS316L) and by a specially selected type of barometric liquid, Silicone Oil by default. Clients can select the housing enclosure as Aluminum Alloy, SS316 or NiAlBz, and degree of protection IP67. All fasteners, nuts, bolts, and spacers are SS316, SS304, and Copper Alloys. By default, the process connection is ½ NPTM and its material is SS316. The design of the casing enables the use of a local display, rotation of the display, and a choice of cable direction. This model designed for direct In-Line installation or sets up with a bracket for tubing to the process line.

HART COMMUNICATION PROTOCOL **PROFIBUS** Fieldbus Foundation

- ✓ Analog or Digital Signal Output
- ✓ Designed in Accordance to Hazardous Area
 - › Explosion Proof II 1G Ex d IIC T6 Ga
 - › Intrinsic Safety II 1G Ex ia IIC T6 Ga
- ✓ Power Supply 10.5 ~ 32 VDC (42VDC in Safe Area)
- ✓ Max. Span 1 ~ 10,000 psi Sealed Gauge
- ✓ Accuracy 0.1%FS (0.05%FS on Request)
- ✓ RangeDown Ratio up to 10%FS
- ✓ Working Temperature Limits -40°C ~ +125°C
- ✓ Ambient Temperature Limits -30°C ~ +85°C
- ✓ Damping Time 0.1s ~ 32s
- ✓ Response Time ≈ 100ms
- ✓ Two M20×1.5 Conduits for Electrical Glands
- ✓ Small and light weight (1.4Kg Approximately)
- ✓ Approximate Dimensions ≈ 14×17×10 cm
- ✓ Stability ±0.05%URL in a Years
- ✓ Vibration Effect ±0.1%URL per "g" to 200Hz in All Axis
- ✓ Barograph/Programmable LCD Display with Backlight
 - › Local Configuration with 3 Keys on Display (Only HART)
 - › Local Zero, Span, and Damping Adjustment (Only HART)
 - › All Standard and Customized Engineering Units
 - › Indication in P.V., mA, and %

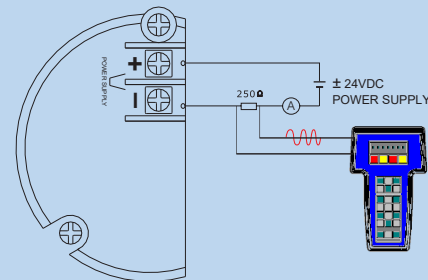


STEX13 Ordering Codes

Output Signal	
-H	Analog 4~20 mA DC, with HART Comm.
-F	FOUNDATION Fieldbus, Digital Comm.
-P	PROFIBUS PA, Digital Comm.
Sensor Max. Operating Span	
0	75 mBar 3 6.9 Bar 6 207 Bar
1	374 mBar 4 20 Bar 7 414 Bar
2	1.87 Bar 5 69 Bar 8 686 Bar

Sensor's Measuring Span Ranges

Code	Setting Ranges
2	0~0.2 Bar to 0~1.87 Bar
3	0~0.6 Bar to 0~6.9 Bar
4	0~2 Bar to 0~20 Bar
5	0~6.9 Bar to 0~69 Bar
6	0~20 Bar to 0~207 Bar
7	0~100 Bar to 0~414 Bar
8	0~200 Bar to 0~686 Bar



Options 1	
/M2	Hastelloy-C as Material of Process Connection
/S2	Hastelloy-C as Material of Sensor Diaphragm
/S3	Tantalum as Material of Sensor Diaphragm
/S4	Ceramic Sensor
/Q1	Declaration of Material Test; Sensor Diaphragm
/Q2	Declaration of Hydrostatic Test (≥110%URL)
/Q3	Declaration of Material Test; Process Connection
/Q4	Certificate of Calibration (by 3rd party)
/Q5	Declaration of Material Test; Enclosure Housing
/P5	IP65 (None Ex Model for Safe Area)
/P8	Water-Proof IP68
/A5	High Accuracy Sensor, 0.05% Full Scale

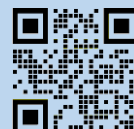
Options 2	
/E1	Electrical Connection Conduits Size ½" NPTF
/E6	Enclosure Housing Material C8FM (SS316)
/E7	Enclosure Housing Material NiAlBz
/B2	Mounting Bracket on 2" Pipe (Galvanized Steel)
/B4	Mounting Bracket on 2" Pipe (SS304)
/C6	½"NPTM to ½"NPTF Adaptor (Process Connection)
/C7	½"NPTM to G ½" Male Adaptor (Process Connection)
/C8	½"NPTM to M20*1.5 Male Adaptor (Process Connection)
/V2	2-Way SS316 Isolating Manifold Valve (½" NPT)
/N4	Wired Tag № SS316 Plate

(Example: STEX13-F6/Q4/P8/V2)



Kimia Farayand REGA (Private Stock Company)
National Registration ID № 14004665155
Tel/Fax: +98-21-88830111, +98-21-86072091
Email: sales.tehran@regamount.ir, sales.iraq@regamount.com
No. 6, Unit 11, Shahrokh Alley, Haft Tir Sq., Tehran 1574843937, IRAN

We reserve the right to change all of these data at any time without prior notice.



REGAMOUNT™
This logo is registered trademarks of Kimia Farayand REGA Private Stock Company (in Persian: کیمیا فرایند رگا) and all Rights Reserved ©2021, Tehran, IRAN.